



ZHEJIANG UNIÜ-NE Technology CO., LTD

浙江宇力微新能源科技有限公司



## U3401/2 Data Sheet

V 1.2

版权归浙江宇力微新能源科技有限公司

## ■ General Description

The U3401/2 600V synchronous buck controller regulates from a high input voltage source or from an input rail subject to high voltage transients, minimizing the need for external surge suppression components. A high-side switch minimum on-time of 60 ns gives large step-down ratios, enabling the direct step-down conversion from a 100V nominal input to low-voltage rails for reduced system complexity and solution cost. The U3401/2 continues to operate during input voltage dips as low as 16.5V, at nearly 100% duty cycle if needed, making it an excellent choice for high-performance 100V battery automotive applications, ADAS (surround view ECU) and HEV/EV systems.

Forced-PWM (FPWM) operation eliminates switching frequency variation to minimize EMI, while user-selectable diode emulation lowers current consumption at light-load conditions. Measuring the voltage drop across the low-side MOSFET or with an optional current sense resistor gives cycle-by-cycle overcurrent protection. The adjustable switching frequency as high as 0.5MHz can be synchronized to an external clock source to eliminate beat frequencies in noise-sensitive applications.

## ■ Applications

- High-Power Automotive DC/DC Regulator
- Automotive Motor Drives, ADAS
- HEV/EV Power Compliant to LV-148

## ■ Key Features

- AEC-Q100 Qualified for Automotive Applications:
  - Device Temperature Grade 1: -40°C to +125°C Ambient Temperature Range
- Versatile Synchronous Buck DC/DC Controller
  - Wide Input Voltage Range of 16.5V to 600V
  - Adjustable Output Voltage From 1.25V to 600V
  - Voltage-mode Control With Line Feedforward
- Meets CISPR 25 EMI Standard
- Lossless  $R_{DS(on)}$  or Shunt Current Sensing
- Switching Frequency From 10 kHz to 0.5MHz
  - SYNC In and SYNC Out Capability
- 60ns Minimum On-Time for High  $V_{IN} / V_{OUT}$  Ratio
- 180ns Minimum Off-Time for Low Dropout
- 1.2V Reference With  $\pm 1\%$  Feedback Accuracy
- 8.5V Gate Drivers for Standard  $V_{TH}$  MOSFETs
  - 220ns Adaptive Dead-Time Control
  - 1.5A Source and 1.8A Sink Capability
  - Low-Side Soft Start for Prebiased Start-Up
- Adjustable Soft Start or Optional Voltage Tracking
- Precision Enable Input and Open-Drain Power- Good Indicator for Sequencing and Control
- Inherent Protection Features for Robust Design
  - Hiccup-Mode Overcurrent Protection
  - Input UVLO With Hysteresis
  - VCC and Gate-Drive UVLO Protection
  - Thermal Shutdown Protection With Hysteresis
- 16-Pin SOP Package With Wettable Flanks
- Create a Custom Design Using the U3401/2 With UNI-SEMI® Power Designer

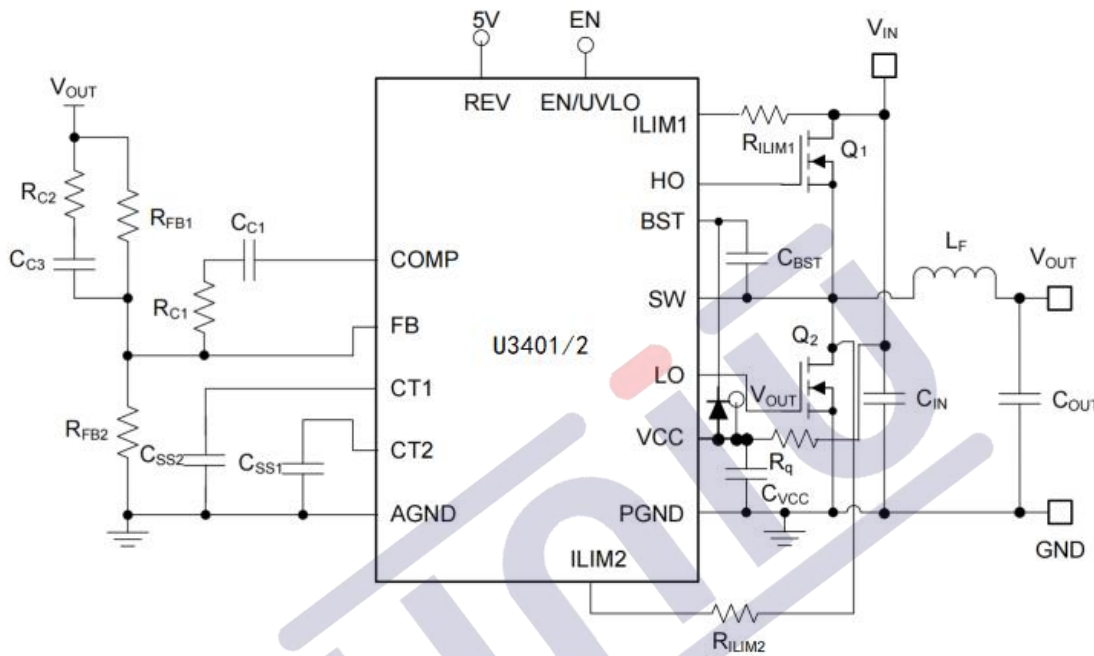
### ■ Device Information<sup>(1)</sup>

Part Number	Package	Body Size (Nom)
U3401/2	SOP(16)	10mm × 6.3mm

(1) For all available packages, see the orderable addendum at the end of the data sheet

### ■ Typical Application Circuit and Efficiency Performance

$V_{OUT} = 12\text{ V}$ ,  $F_{SW} = 60\text{ kHz}$



### ■ Output Power Table

Part Number	Package	VIN	IO+/IO-	OUT
U3401	SOP-16	20~400V	1.5A/1.8A	ADJ
U3402	SOP-16	10~400V	1.5A/1.8A	ADJ

Note:

- 1.Default for Buck Converter Application
- 2.The practical output power is determined by the output voltage and thermal condition

### ■ Description (continued)

The U3401/2 voltage-mode controller with line feedforward drives external high-side and low-side N-channel power switches with robust 8.5V gate drivers suitable for standard-threshold MOSFETs. Adaptively-timed gate drivers with 1.5A source and 1.8A sink capability minimize body diode conduction during switching transitions, reducing switching losses and improving thermal performance when driving MOSFETs at high input voltage and high frequency. The U3401/2 can be powered from the output of the switching regulator or another available source, further improving efficiency.

A 180° out-of-phase clock output relative to the internal oscillator at SYNCOUT works well for cascaded or multi-channel power supplies to reduce input capacitor ripple current and EMI filter size. Additional features of the U3401/2 include a configurable soft start, an open-drain power-good monitor for fault reporting and output-monitoring, monotonic start-up into prebiased loads, integrated VCC bias supply regulator and bootstrap diode, external power supply tracking, precision enable input with hysteresis for adjustable line undervoltage lockout (UVLO), hiccup-mode overload protection, and thermal shutdown protection with automatic recovery.

## 1.版本记录

DATE	REV.	DESCRIPTION
2018/04/19	1.0	First Release
2021/01/02	1.1	Layout adjustment
2021/03/10	1.2	Change parameters

## 2.免责声明

浙江宇力微新能源科技有限公司保留对本文档的更改和解释权力，不另行通知！客户在下单前应获取我司最新版本资料，并验证相关信息是否最新和完整。量产方案需使用方自行验证并自担所有批量风险责任。未经我司授权，该文件不得私自复制和修改。产品不断提升，以追求高品质、稳定性强、可靠性高、环保、节能、高效为目标，我司将竭诚为客户提供性价比高的系统开发方案、技术支持等更优秀的服务。

版权所有 浙江宇力微新能源科技有限公司/绍兴宇力半导体有限公司

## 3.联系我们

浙江宇力微新能源科技有限公司

总部地址：绍兴市越城区斗门街道袍渚路25号中节能科创园45幢4/5楼

电话：0575-85087896（研发部）

传真：0575-88125157

E-mail: htw@uni-semic.com

无锡地址：无锡市锡山区先锋中路6号中国电子（无锡）数字芯城1#综合楼503室

电话：0510-85297939

E-mail: zh@uni-semic.com

深圳地址：深圳市宝安区西乡街道南昌社区宝源路泳辉国际商务大厦410

501电话：0755-84510976

E-mail: htw@uni-semic.com